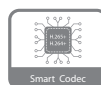


DH-IPC-HFW2239S-SA-LED-S2

2MP Lite Full-color Fixed-focal Bullet Network Camera



- 2MP, 1/2.8" CMOS image sensor, low illuminance, high image definition
- Outputs max. 2MP (1920 × 1080) @25/30 fps
- H.265 codec, high compression rate, ultra-low bit rate
- Built-in warm lights, max. illumination distance: 30 m
- ROI, SMART H.264+/H.265+, flexible coding, applicable to various bandwidth and storage environments
- Rotation mode, WDR, 3D NR, HLC, BLC, digital watermarking, applicable to various monitoring scenes
- Intelligent detection: Intrusion, tripwire
- Abnormality detection: Motion detection, video tampering, scene changing, no SD card, SD card full, SD card error, network disconnection, IP conflict, illegal access, voltage detection
- Supports max. 256 GB Micro SD card and built-in Mic
- 12V DC/PoE power supply
- IP67 protection



Series Overview

With upgraded H.265 encoding technology, Dahua Lite series network camera has efficient video encoding capacity, which saves bandwidth and storage space. This camera adopts the latest starlight technology and displays better color image in the condition of low illumination. It supports SD card storage, dust-proof function, waterproof function and vandal-proof function, complying with the standards of IP67 (Supported by some select models).

Functions

Smart H.265+ & Smart H.264+

With advanced scene-adaptive rate control algorithm, Dahua smart encoding technology realizes the higher encoding efficiency than H.265 and H.264, provides high-quality video, and reduces the cost of storage and transmission.

Full-color

With high-performance sensor and large aperture lens, Dahua Full-color technology can display clear colorful image in the environment of ultra-low illuminance. With this photosensitivity technology, the camera can capture more available light, and display more colorful image details.

WDR

With advanced Wide Dynamic Range (WDR) technology, Dahua network camera provides clear details in the environment of strong brightness contrast. The bright and dark area can get clear video even in high brightness environment or with backlight shadow.

IVS

With advanced video algorithm, Dahua IVS technology supports intelligent functions, such as tripwire and intrusion.

Cyber Security

Dahua network camera is equipped with a series of key security technologies, such as security authentication and authorization, access control, trusted protection, encrypted transmission, and encrypted storage, which improve its security defense and data protection, and prevent malicious programs from invading the device. With UL CAP Certification, TÜV Rheinland Protected Privacy IoT Product Certification, and ETSI EN 303645 Certification, Dahua network camera better meets the demands of cyber security and privacy protection.

Protection (IP67, wide voltage)

IP67: The camera passes a series of strict test on dust and soak. It has dust-proof function, and the enclosure can works normal after soaking in 1 m deep water for 30 minutes.

Wide voltage: The camera allows $\pm 30\%$ (for some power supplies) input voltage tolerance (wide voltage range), and it is widely applied to outdoor environment with instable voltage.

Technical Specification

| | |
|----------------------------|---|
| Camera | |
| Image Sensor | 1/2.8" 2Megapixel progressive CMOS |
| Max. Resolution | 1920 (H) × 1080 (V) |
| ROM | 128 MB |
| RAM | 128 MB |
| Scanning System | Progressive |
| Electronic Shutter Speed | Auto/Manual 1/3 s–1/100,000 s |
| Minimum Illumination | 0.0017 Lux@F1.0 |
| S/N Ratio | > 56 dB |
| Illumination Distance | 30 m (98.4 ft) |
| Illuminator On/Off Control | Auto/Manual |
| Illuminator Number | 1 (Warm light) |
| Pan/Tilt/Rotation Range | Pan: 0°–360° Tilt: 0°–90° Rotation: 0°–360° |

| | | | | | |
|----------------------|---|---------------------|---------------------|--------------------|--------------------|
| Lens | | | | | |
| Lens Type | Fixed-focal | | | | |
| Mount Type | M12 | | | | |
| Focal Length | 2.8 mm 3.6 mm | | | | |
| Max. Aperture | 2.8 mm: F1.0 3.6 mm: F1.0 | | | | |
| Field of View | 2.8 mm: Horizontal 107° × Vertical 55° × Diagonal 127° 3.6 mm: Horizontal 91° × Vertical 47° × Diagonal 109° | | | | |
| Iris Type | Fixed | | | | |
| Close Focus Distance | 2.8 mm: 0.9 m (3.0 ft) 3.6 mm: 1.3 m (4.3 ft) | | | | |
| DORI Distance | Lens | Detect | Observe | Recognize | Identify |
| | 2.8mm | 38.6m (126.6 ft) | 15.4m (50.5 ft) | 7.7 m (25.3 ft) | 3.9 m (12.8 ft) |
| | 3.6mm | 49.7m (163.1 ft) | 65.3m (108.6 ft) | 32.5m (54.5 ft) | 18.0m (27.2 ft) |

| | |
|--------------------|---------------------|
| Smart event | |
| IVS | Tripwire; intrusion |

| | |
|-------------------|---|
| Video | |
| Video Compression | H.265; H.264; H.264B; MJPEG (only supported by the sub stream) |
| Smart Codec | Smart H.265+/ Smart H.264+ |
| Video Frame Rate | Main stream: 1920 × 1080 (1 fps-25/30 fps) Sub stream: 704 × 576 (1 fps-25 fps) 704 × 480 (1 fps-30 fps) |
| Stream Capability | 2 streams |
| Resolution | 1080p (1920 × 1080); 1.3M (1280 × 960); 720p (1280 × 720); D1 (704 × 576/704 × 480); VGA (640 × 480); CIF (352 × 288/352 × 240) |

| | |
|-------------------------|--|
| Bit Rate Control | CBR/VBR |
| Video Bit Rate | H.264: 32 kbps–6144 kbps H.265: 12 kbps–6144 kbps |
| Day/Night | Color/B/W |
| BLC | Yes |
| HLC | Yes |
| WDR | 120 dB |
| White Balance | Auto/natural/street lamp/outdoor/manual/regional custom |
| Gain Control | Auto/Manual |
| Noise Reduction | 3D NR |
| Motion Detection | OFF/ON (4 areas, rectangular) |
| Region of Interest(Rol) | Yes (4 areas) |
| Smart Illumination | Yes |
| Image Rotation | 0°/90°/180°/270° (Supports 90°/270° with 1080p resolution and lower) |
| Mirror | Yes |
| Privacy Masking | 4 areas |

| | |
|-------------------|------------------------|
| Audio | |
| Built-in MIC | Yes |
| Audio Compression | G.711A; G.711Mu; G.726 |

| | |
|--------------|---|
| Alarm | |
| Alarm Event | No SD card; SD card full; SD card error; network disconnection; IP conflict; motion detection; video tampering; tripwire; intrusion; illegal access; voltage detection; audio detection; safety exception |

| | |
|---------------------|---|
| Network | |
| Network | RJ-45 (10/100 Base-T) |
| SDK and API | Yes |
| Cyber Security | Video encryption; firmware encryption; configuration encryption; Digest; WSSE; account lockout; security logs; IP/MAC filtering; generation and importing of X.509 certification; syslog; HTTPS; 802.1x; trusted boot; trusted execution; trusted upgrade |
| Protocol | IPv4; IPv6; HTTP; TCP; UDP; ARP; RTP ; RTSP; RTCP; RTMP; SMTP; FTP; SFTP; DHCP; DNS; DDNS; QoS; UPnP; NTP; Multicast; ICMP; IGMP; NFS; PPPoE; Bonjour |
| Interoperability | ONVIF (Profile S/Profile G/Profile T); CGI; P2P; Milestone; Genetec |
| User/Host | 20 (Total bandwidth: 72 M.) |
| Storage | Dahua Cloud; FTP; Micro SD card (support max. 256 G); NAS; SFTP |
| Browser | IE Chrome Firefox |
| Management Software | Smart PSS; DSS; DMSS |
| Mobile Phone | IOS; Android |

Certification

| | |
|----------------|---|
| Certifications | CE-LVD: EN62368-1 CE-EMC: Electromagnetic Compatibility Directive 2014/30/EU FCC: 47 CFR FCC Part 15, Subpart B |
|----------------|---|

Power

| | |
|-------------------|----------------------|
| Power Supply | 12V DC/PoE (802.3af) |
| Power Consumption | < 6.0W |

Environment

| | |
|----------------------|---|
| Operating Conditions | -40°C to +60°C (-40°F to +140°F)/less than ≤ 95% RH |
| Storage Temperature | -40°C to +60°C (-40°F to +140°F) |
| Protection Grade | IP67 |

Structure

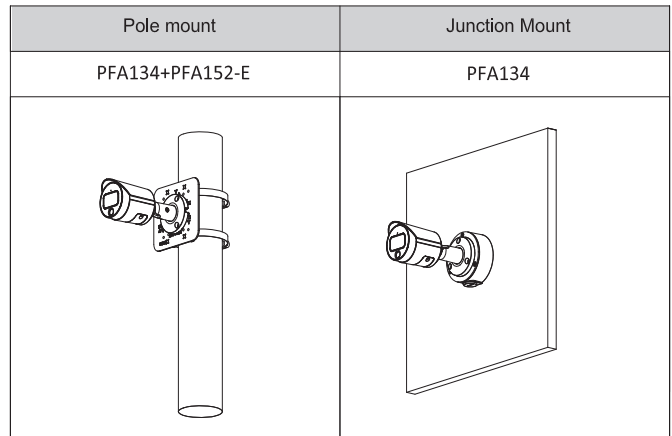
| | |
|--------------|----------------------------------|
| Casing | metal |
| Dimensions | 166.2 mm × Φ70 mm (6.5" × Φ2.8") |
| Net Weight | 0.473 kg (1.0 lb) |
| Gross Weight | 0.574 kg (1.3 lb) |

Ordering Information

| Type | Part Number | Description |
|------------------------|----------------------------|---|
| 2MP Camera | DH-IPC-HFW2239SP-SA-LED-S2 | 2MP Lite Full-color Fixed-focal Bullet Network Camera, PAL |
| | DH-IPC-HFW2239SN-SA-LED-S2 | 2MP Lite Full-color Fixed-focal Bullet Network Camera, NTSC |
| Accessories (optional) | PFA134 | Junction Box |
| | PFA152-E | Pole Mount |
| | PFM321D | DC12V1A Power Adapter |
| | LR1002-1ET/1EC | Single-port Long Reach Ethernet over Coax Extender |
| | PFM900-E | Integrated Mount Tester |
| | PFM114 | TLC SD Card |

Accessories

Optional:



Dimensions (mm[inch])

